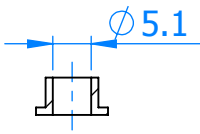
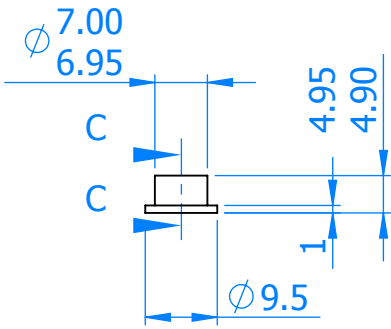


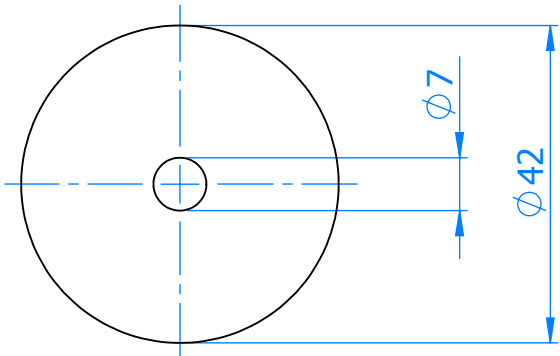
SECTION B-B  
SCALE 1 : 1

FILTER SUPPORT  
MATERIAL: BRASS



SECTION C-C  
SCALE 1 : 1

FILTER WASHER  
MATERIAL: BRASS



FILTER  
MATERIAL: 0.8mm THICK  
1mm x 1mm ST. STEEL MESH